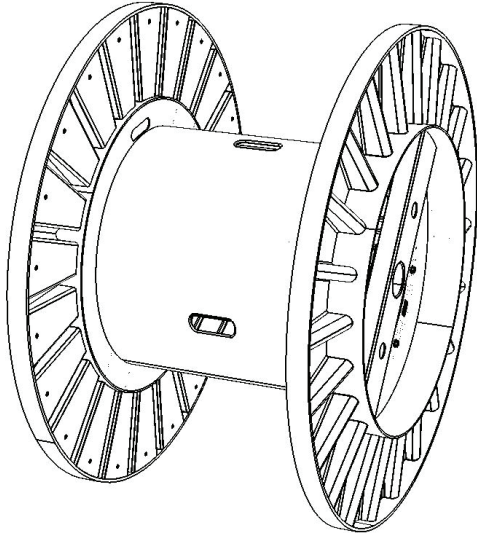


CORRUGATED REDUCTION REEL



BENEFITS

- Save valuable space in your warehouse.
- Reduce freight on returned shipments.
- Improve material handling and reduce labor cost.

Ideal For:

- Shipping
- Power transmission, control and distribution
- Telecommunications (wired, wireless, satellite, CATV)
- Oil, gas and marine
- Infrastructure (wire rope, cable, conduit)
- Elevator cables

Reduce Transportation Costs

- Maximize full truck loads on return shipments.
- Ship back more reels for 1/4 of the cost of standard steel reel.

Space Savings

- Stack empty reels on pallet easily and safely.
- Requires 70% less floor space.

Material Handling

- Easily transport multiple reels on a single pallet.
- Assemble and disassemble reels in seconds.

	FLANGE	CORE DIAMETER	TRAVERSE
SPECS	48"/1219 mm	24"	24"

**Variable Traverse Available.*